

Concealed

# Shower Mixer Box

**Article no.:** 4703600  
**Finish:** Chrome  
**Series:** Concealed

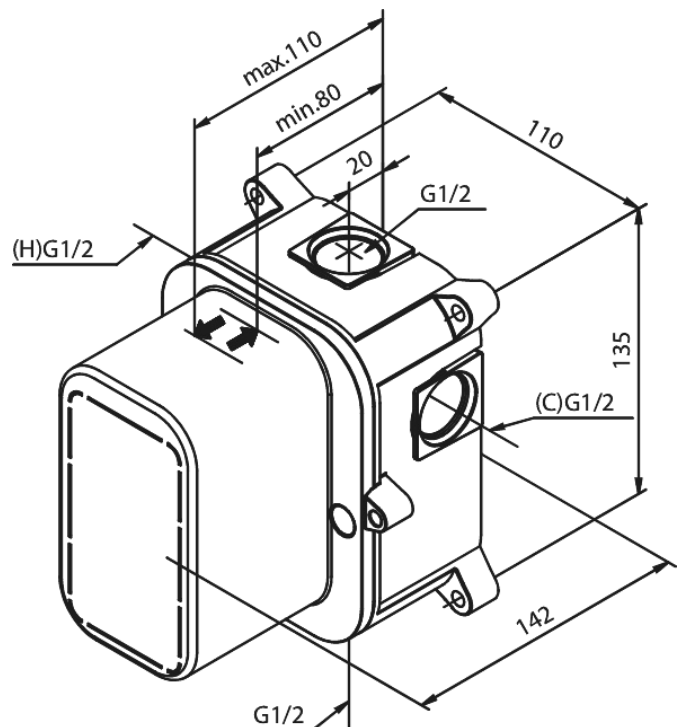
**EAN no.:**



## Standard features:

Check valves  
Build-in depth (min. 75mm - max. 105mm)  
Ceramic Parts

## Product features



FM Mattsson Mora Group Denmark  
Østbirkvej 2, DK-5240 Odense NØ

+45 88 33 00 34 [damixa-international@fmm-mora.com](mailto:damixa-international@fmm-mora.com)

More information på <https://damixa.com>

**damixa**